

WOOD SPECIES: _____

WOOD FINISH: _____

PLEASE ADVISE WOOD SPECIES AND WOOD FINISH. REFER TO C/S CATALOG FOR OPTIONS.

METAL FINISH: _____

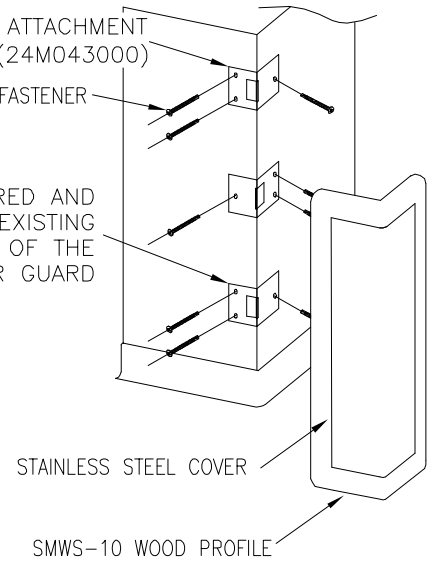
PLEASE REFER TO C/S CATALOG FOR AVAILABLE METAL FINISH OPTIONS.

QTY. REQ'D	UNIT HGT.	BASE HGT.

2" (50.8MM) WIDE WALL ATTACHMENT SPRING CLIP (24M043000)

SPECIFIED FASTENER

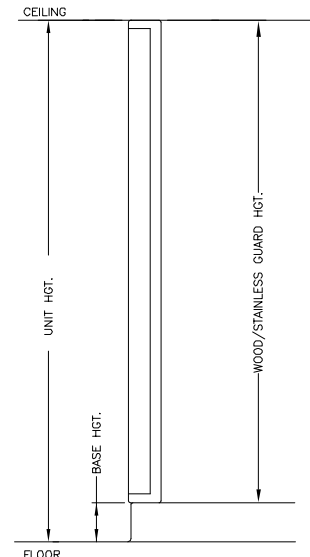
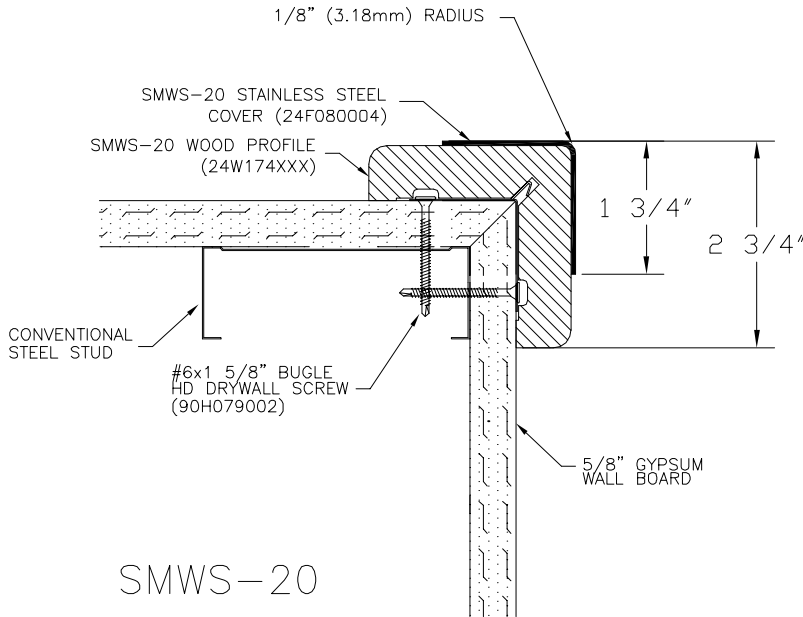
CLIPS MUST BE STAGGERED AND CENTERED WITH THE EXISTING SLOTS IN THE BACK OF THE CORNER GUARD



STAINLESS STEEL COVER

SMWS-10 WOOD PROFILE

DRYWALL/PLASTER APPLICATION



SURFACE MOUNTED GUARD AT FULL HEIGHT ELEVATION

WALL CONDITION	SPECIFIED FASTENER	DRILL DIAMETERS		PART NUMBER
		WALL	RETAINER	
STEEL STUD/GYPSUM WALL WOOD STUD/GYPSUM WALL	#6 X 1-5/8" BUGLE HD. SMS	N/A	7/64"	90H079002
CONCRETE/CONC. BLOCK	{ AF-6 ALLIGATOR ANCHOR { #10 X 1-1/2" PHILLIPS PAN HD. SMS }	15/64"	9/32"	90H039004 90H189002

C/S GROUP

MUNCY, PA 17756
VISTA, CA 92083
MISSISSAUGA, ONTARIO, CANADA

PROJECT:	REV. :
LOCATION:	F&F:
CUSTOMER:	SHEET OF
AGENT:	JOB NO.
DWG. BY:	DATE:

SECTION 10260
SUGGESTED SPECIFICATIONS

Part 1 - General

1.01 Summary

- A. This section includes the following types of wall protection systems:
 - 1. Corner Guards
- B. Related Sections: The following sections contain requirements related to this section:
 - 1. Handrails, Bumper Guards, Crash Rails, Accent Rails; refer to section 10260 "Wall and Corner Guards"
- C. Blocking in walls for fasteners; refer to section 09250 "Gypsum Board Systems"
- D. Wall Covering, Wall Panels, Door Protection; refer to section 09720 "Wall Coverings"

1.02 References

- A. American Society for Testing and Materials (ASTM)

1.03 Submittals

- A. General: Submit the following in accordance with conditions of contract and Division 1 specification section 01300.
- B. Product data and detailed specifications for each system component and installation accessory required, including installation methods for each type of substrate.
- C. Shop drawings showing locations, extent and installation details of corner guards. Show methods of attachment to adjoining construction.
- D. Samples for verification purposes: Submit the following samples, as proposed for this work, for verification of color, finish and alignment.
 - 1. 12" (304.8mm) long sample of each model specified.
- E. Maintenance data for wall protection system components for inclusion in the operating and maintenance manuals specified in Division 1.

1.04 Quality Assurance

- A. Installer qualifications: Engage an installer who has no less than 3 years experience in installation of systems similar in complexity to those required for this project.
- B. Manufacturer's qualifications: Not less than 5 years experience in the production of specified products and a record of successful in-service performance.
- C. Single source responsibility: Provide all components of the wall protection system manufactured by the same company to ensure compatibility of color, texture and physical properties.

1.05 Delivery, Storage, and Handling

- A. Deliver materials to the project site in unopened original factory packaging clearly labeled to show manufacturer.
- B. Store materials in original, undamaged packaging in a cool, dry place out of direct sunlight and exposure to the elements. A minimum room temperature of 40°F (4°C) and a maximum of 100°F (38°C) should be maintained.
- C. Material must be stored flat.

1.06 Project Conditions

- A. Materials must be acclimated in an environment of 65° - 75°F (18° - 24°C) for at least 24 hours prior to beginning the installation.
- B. Installation areas must be enclosed and weatherproofed before installation commences.

Part 2 - Products

2.01 Manufacturers

- A. Construction Specialties, Inc., Muncy, Pa., Mississauga, Ontario.

2.02 Materials

- A. Solid Wood Components: Shall be manufactured from plain sawn, FAS grade hardwood, kiln dried to a moisture content of 6% to 10%. All wood components shall be factory finished. Wood components to be final coated with catalyzed, high solids, clear conversion varnish using a two coat process. Finish shall be in accordance with specified AWI finish system. Coverage shall be a minimum of 3 - 5 mils. Gloss shall be measured on 60° gloss meter as per ASTM D523.
- B. Stainless steel components shall be fabricated from type 304 stainless steel with a #4 satin finish.
- C. Fasteners: All necessary fasteners to be supplied by the manufacturer.

2.03 Corner Guards

- A. Wood/Stainless Steel Corner Guards: To be Renaissance by Construction Specialties. Surface mounted assembly consisting of wood corner guard with stainless steel facing. All hardware shall be appropriate for wall construction.
 - 1. Model SMWS-20 90° wood corner guard with 2 3/4" (69.9mm) legs and stainless steel cover. Select from Maple, Beech, Ash or Oak woods. Standard finishes include Natural, Light Oak, Honey and Cherry. Custom woods and finishes available. Standard heights are 4' (1.2m), 8' (2.4m) and 10' (3.0m).

2.04 Fabrication

- A. General: Fabricate wall protection systems to comply with requirements indicated for design, dimensions, detail, finish and member sizes.
- B. Fabricate components with wood joints lightly chamfered.
- C. Provide surfaces free of chipping, dents and other imperfections.

2.05 Finishes

- A. General: Comply with NAAMM "Metal Finishes Manual" for recommendations relative to applications and designations of finishes.

Part 3 - Execution

3.01 Examination

- A. Verification of conditions: Examine areas and conditions under which work is to be performed and identify conditions detrimental to proper or timely completion.
 - I. Do not proceed until unsatisfactory conditions have been corrected.

3.02 Preparation

- A. Surface preparation: Prior to installation, clean substrate to remove dirt, debris and loose particles. Perform additional preparation procedures as required by manufacturer's instructions.
- B. Protection: Take all necessary steps to prevent damage to material during installation as required in manufacturer's installation instructions.

3.03 Installation

- A. Install the work of this section in strict accordance with the manufacturer's recommendations, using only approved mounting hardware, and locating all components firmly into position, level and plumb.
- B. Temperature at the time of installation must be between 65°- 75°F (18°- 24°C) and be maintained for at least 48 hours after the installation.

3.04 Cleaning

- A. General: Immediately upon completion of installation, clean rails and accessories in accordance with manufacturer's recommended cleaning method.
- B. Remove surplus materials, rubbish and debris resulting from installation as work progresses and upon completion of work.

3.05 Protection

- A. Protect installed materials to prevent damage by other trades. Use materials that may be easily removed without leaving residue or permanent stains.